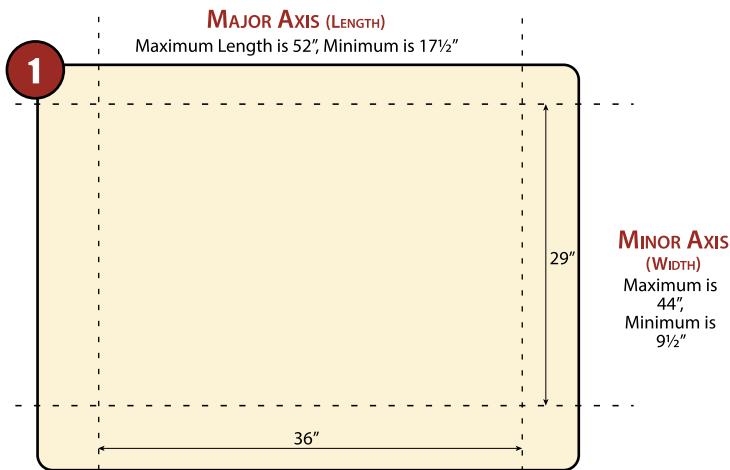
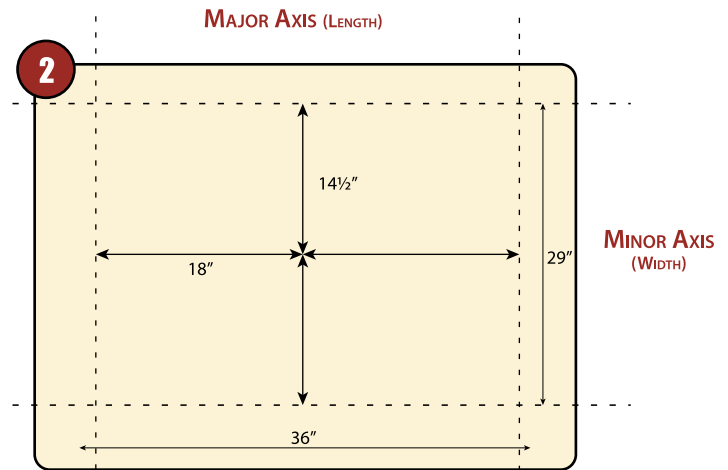


Ellipse Jig Instructions

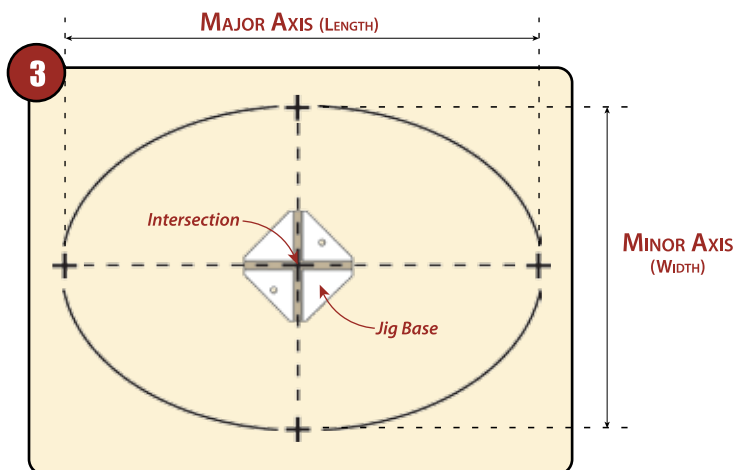


Before using the jig, Layout the length and width of your ellipse.

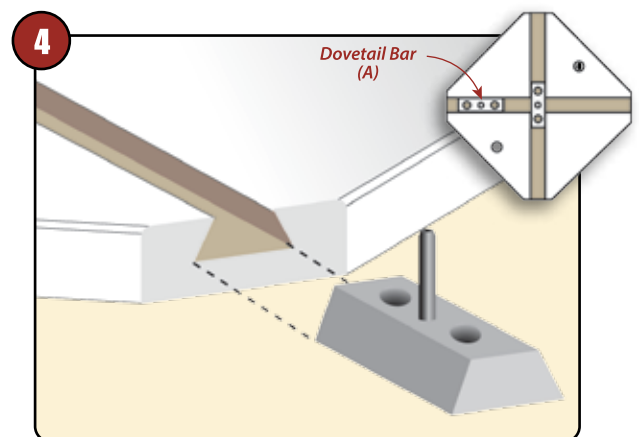
Please Note: The maximum distance between the major and minor axes is 8"



Divide the length by half and the width by half to locate and mark your center.

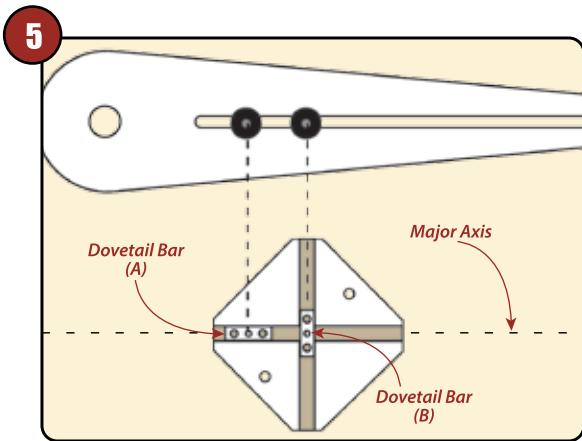


Place the jig base on the center of the laid out work piece. The dovetailed slots should align with your major and minor axes. Secure jig base with two wood screws in the pre-drilled holes in the jig base.



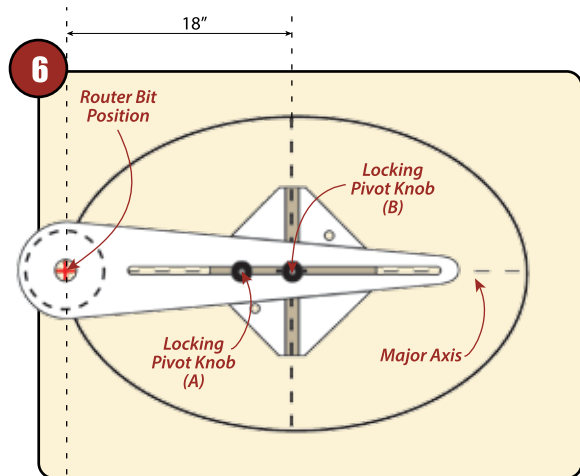
Insert each of the dovetail bars into the dovetailed slots as shown in the jig base above. Dovetail bar (A) is located on the major axis slot.

Ellipse Jig Instructions

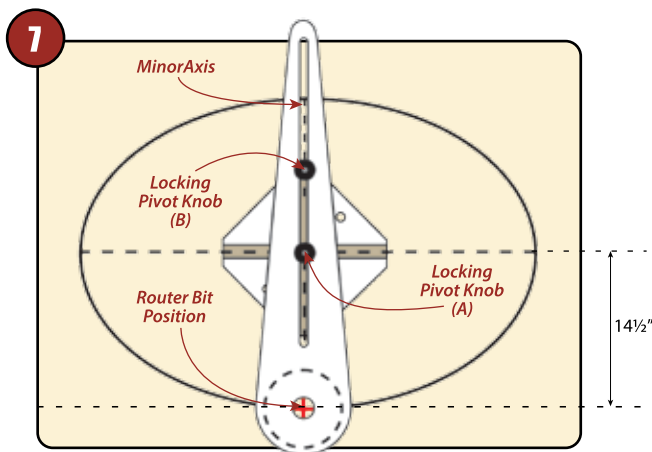


With the locking pivot knobs installed on the jig, align the holes on the bottom of the pivot locking knobs with the pins on the dovetail bars and place jig on to the jig base.

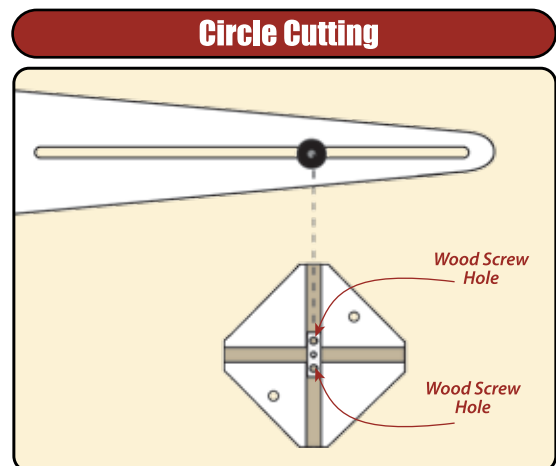
The Locking Pivot Knob closest to the router must be placed onto the dovetail bar (A), along the major axis.



Rotate the jig on the base so that the jig aligns with the major axis. Adjust the jig so the router bit centers on to the correct positioning for your cut. Secure Locking Pivot Knob (A).



Rotate the jig on the base so that the jig aligns with the minor axis. Adjust the jig so the router bit centers on correct positioning for your cut. Secure Locking Pivot Knob (B).



Insert one of the dovetail shaped bars to the center of the jig base and secure bar with two wood screws. Position your router and router bit to your desired circle diameter and secure the Locking Pivot knob.